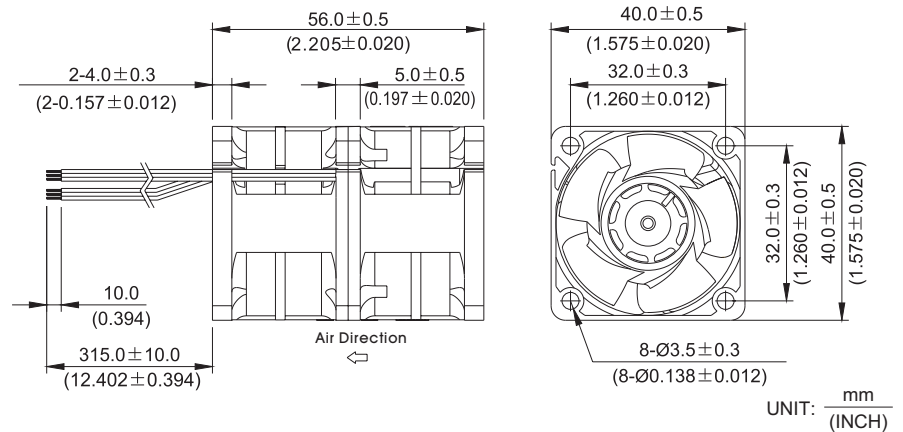
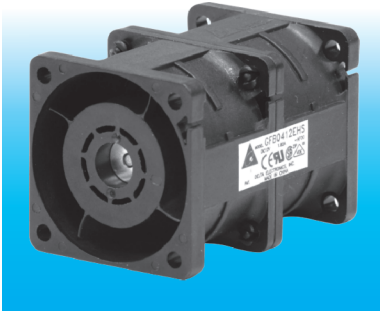


GFB 40 x 40 x 56 MM SERIES

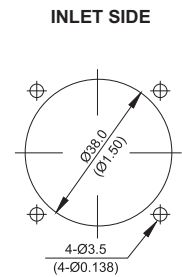
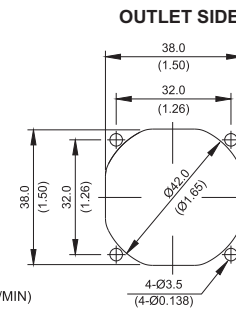
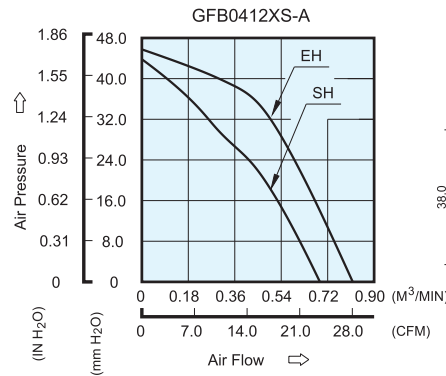
DIMENSIONS DRAWING



- * Bearing Type
Ball Bearings
- * Material
Impeller & Frame: Plastic (UL94V-0)
- * Lead Wires : UL 1061 AWG#26
OR Equivalent
Red Wire Positive (+)
Black Wire Negative (-)
- * Weight : 84g (2.96 oz)

P & Q CURVE (AT RATED VOLTAGE)

MOUNTING PANEL CUTOUT



UNIT: $\frac{\text{mm}}{\text{(INCH)}}$

MODEL			Rated Voltage	Operating Voltage Range	Input Current	Input Power	Speed (Front /Rear)	Maximum Air Flow		Maximum Air Pressure		Noise
PART NO.	REV.	FUNCTION	VDC	VDC	Amp	Watt	R.P.M.	m ³ /min	CFM	mmH ₂ O	IN H ₂ O	dB-A
GFB0412SHS	-A	-R00 / -F00	12	7.0 to 13.2	1.02	12.24	16200/7800	0.659	23.29	44.41	1.748	58.5
GFB0412EHS	-A	-R00 / -F00	12	7.0 to 13.2	1.40	16.80	16200/12000	0.762	26.92	45.76	1.802	62.5

* Function type is optional.
 * The max. air flow and the speed are measured in free air ; max. air pressure is measured at zero air flow.
 * Noise is measured in anechoic chamber in free air, one meter from intake side.
 * All readings are typical values at rated voltage.
 * Specifications are subject to change without notice.